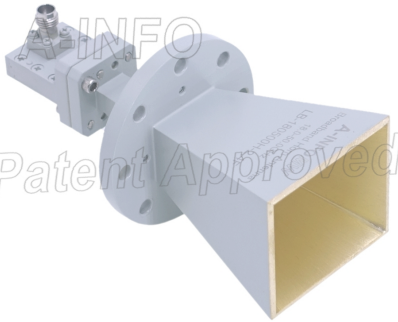


For reference only. See data sheet for the detailed specifications.

## Technical Specification



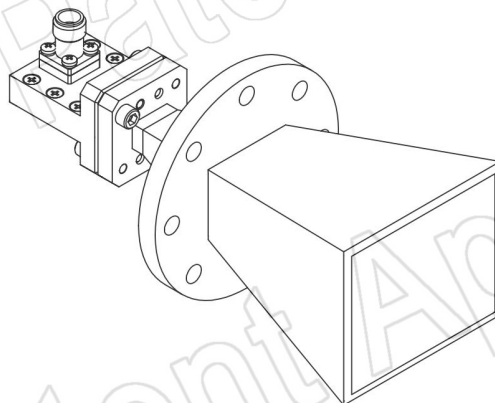
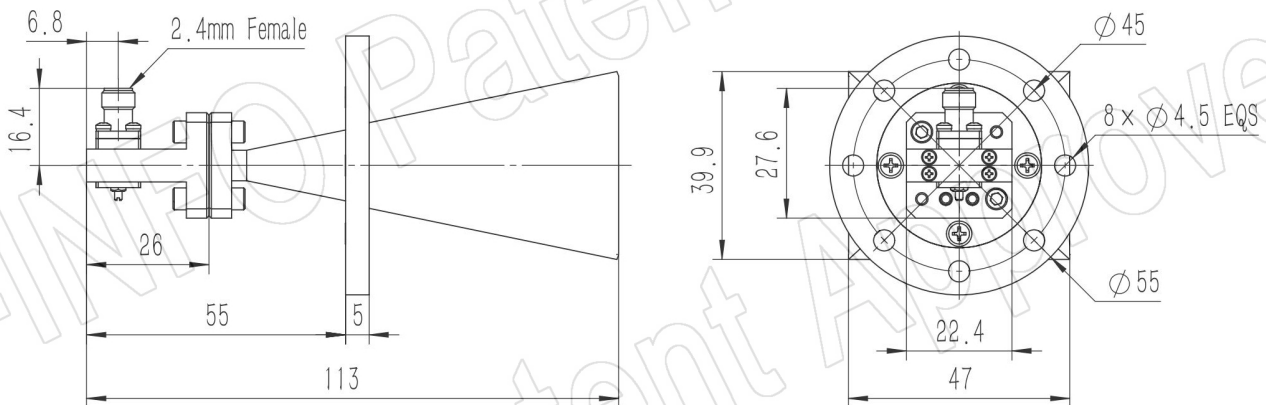
Frequency Range(GHz)	18.0 – 50.0
Gain(dBi)	20 Typ.
Polarization	Linear
3dB Beamwidth(deg)	E Plane: 25 - 13
	H Plane: 29 - 15
Cross Pol. Isolation(dB)	40 Typ.
VSWR	1.5:1 Typ.
	2.0:1 Max.
Connector	2.4mm-Female
Power Handling(W CW)	10 Max.
Material	Cu
Finish	Gold Plated and Passivation, Gray Paint
Size(mm)	55 x 55 x 113
Net Weight(Kg)	0.28 Around

**PATENT ID (China)**

**ZL201930458725.9**

## Outline Drawing (Size: mm)

2.4mm-Female Output (P/N: LB-180500H-2.4F)



**AINFO Inc.**

China(Beijing):  
China(Chengdu):  
USA :

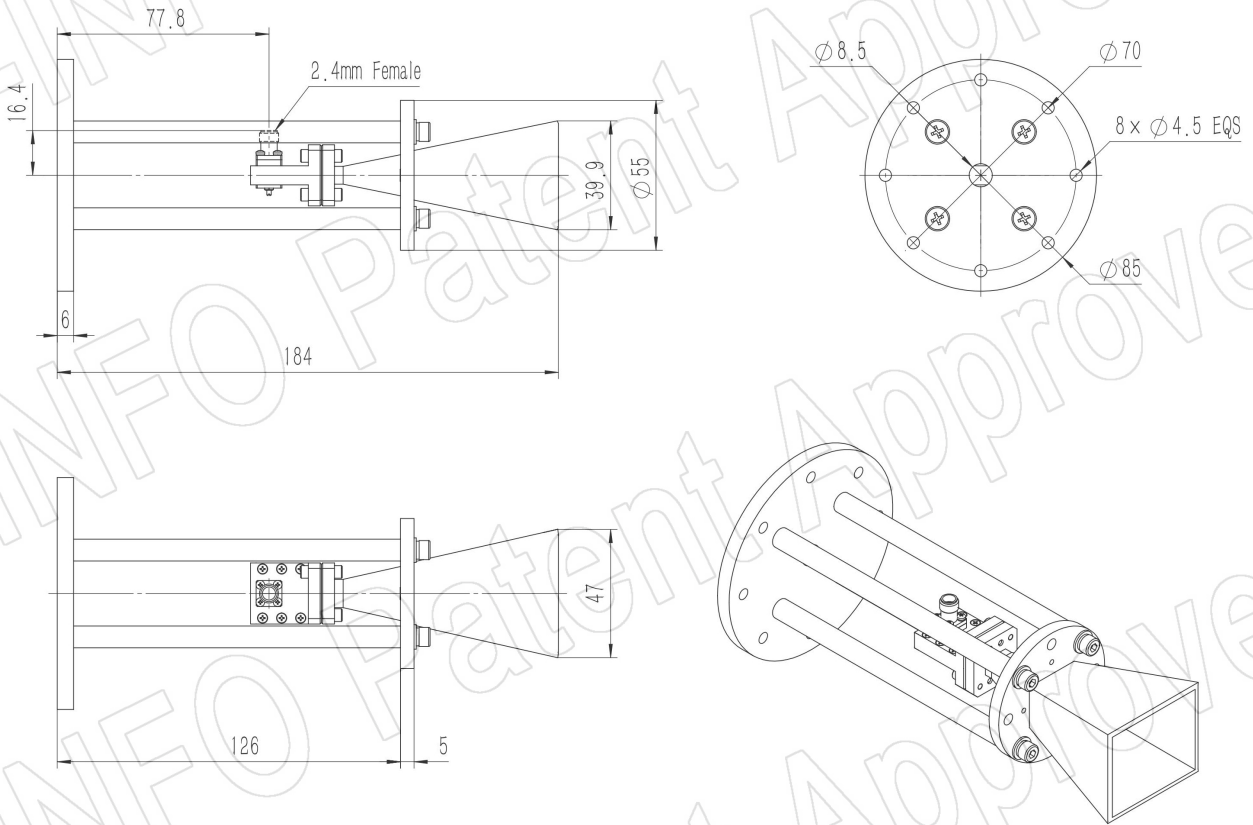
Tel: (+86) 10-6266-7326,  
Tel: (+86) 28-8519-2786,  
Tel: (+1) 949-639-9688,

(+86) 10-6266-7327  
(+86) 28-8519-3044  
(+1) 949-639-9608

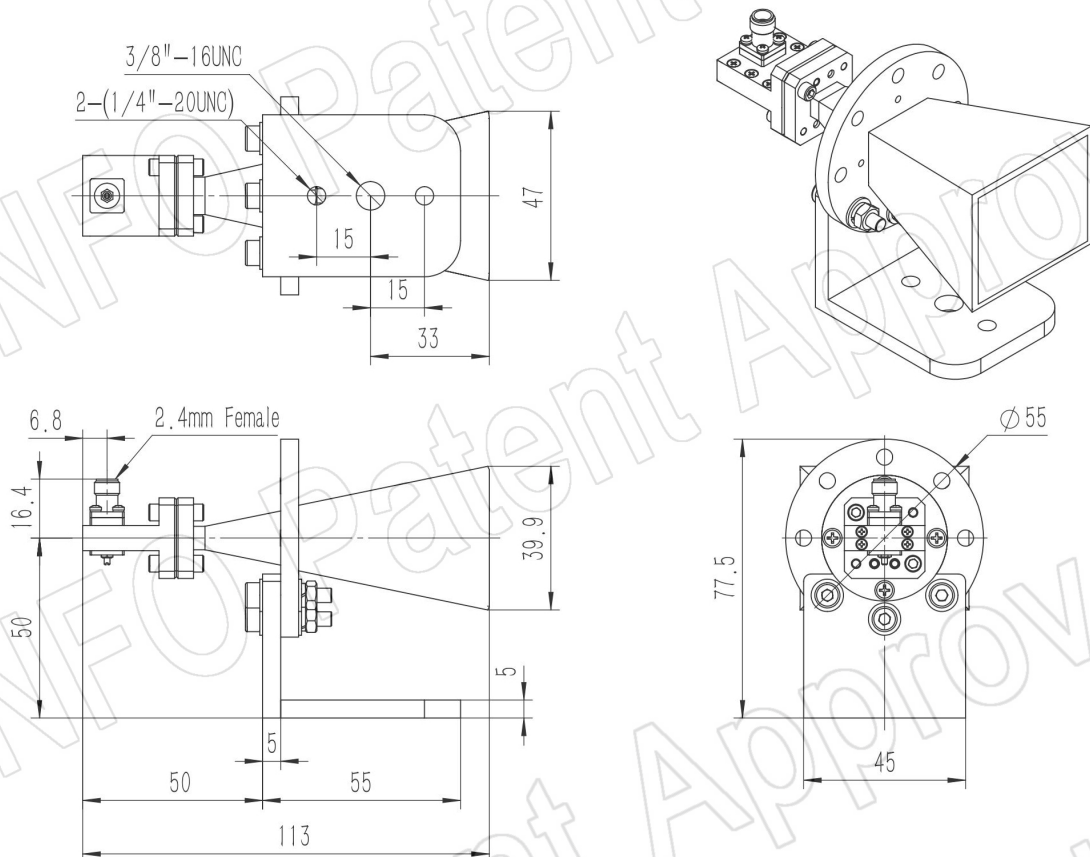
Fax: (+86) 10-6266-7379  
Fax: (+86) 28-8519-3068  
Fax: (+1) 949-639-9670

Website: [www.ainfoinc.com](http://www.ainfoinc.com)  
Email: [sales@ainfoinc.com](mailto:sales@ainfoinc.com)

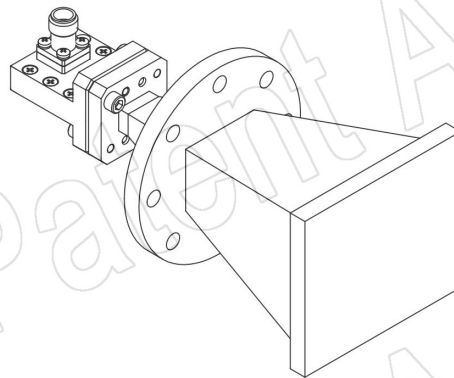
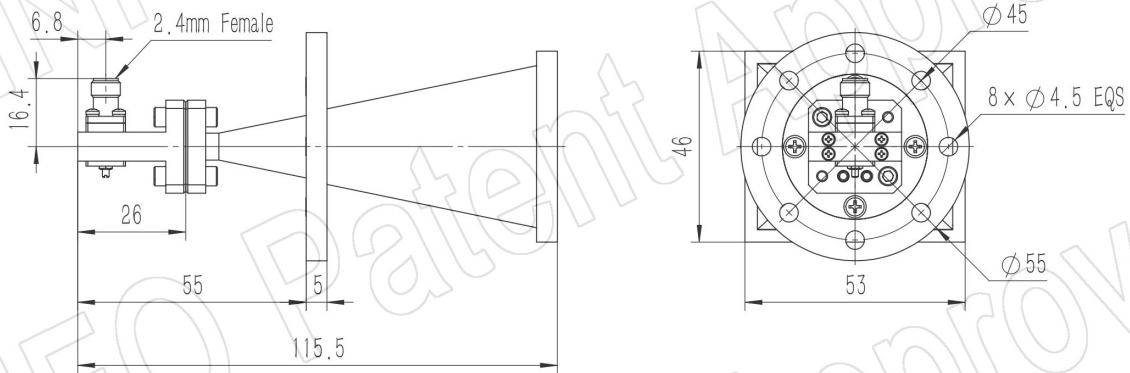
## 2.4mm-Female Output with Round Mounting Bracket (Option, P/N: LB-19-25-MB2)



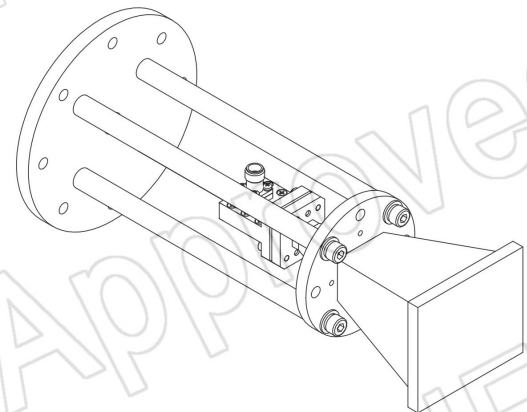
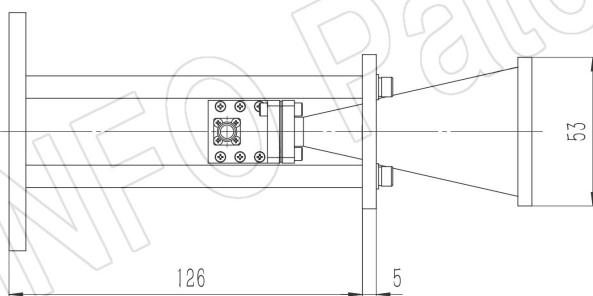
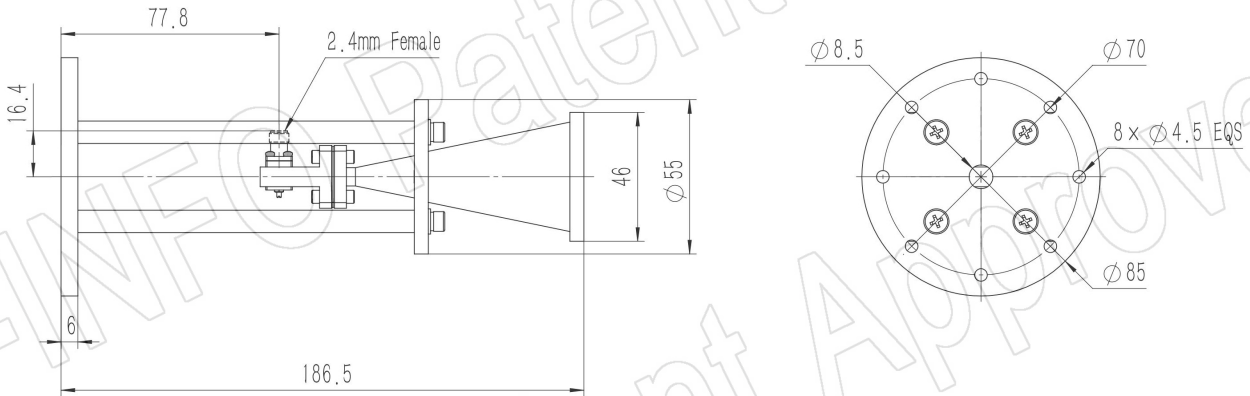
## 2.4mm-Female Output with L Type Mounting Bracket (Option, P/N: LB-19-25-L2)



**2.4mm-Female Output with Radome (Option, P/N: LB-180500H-2.4FSPO, Outdoor Application)**



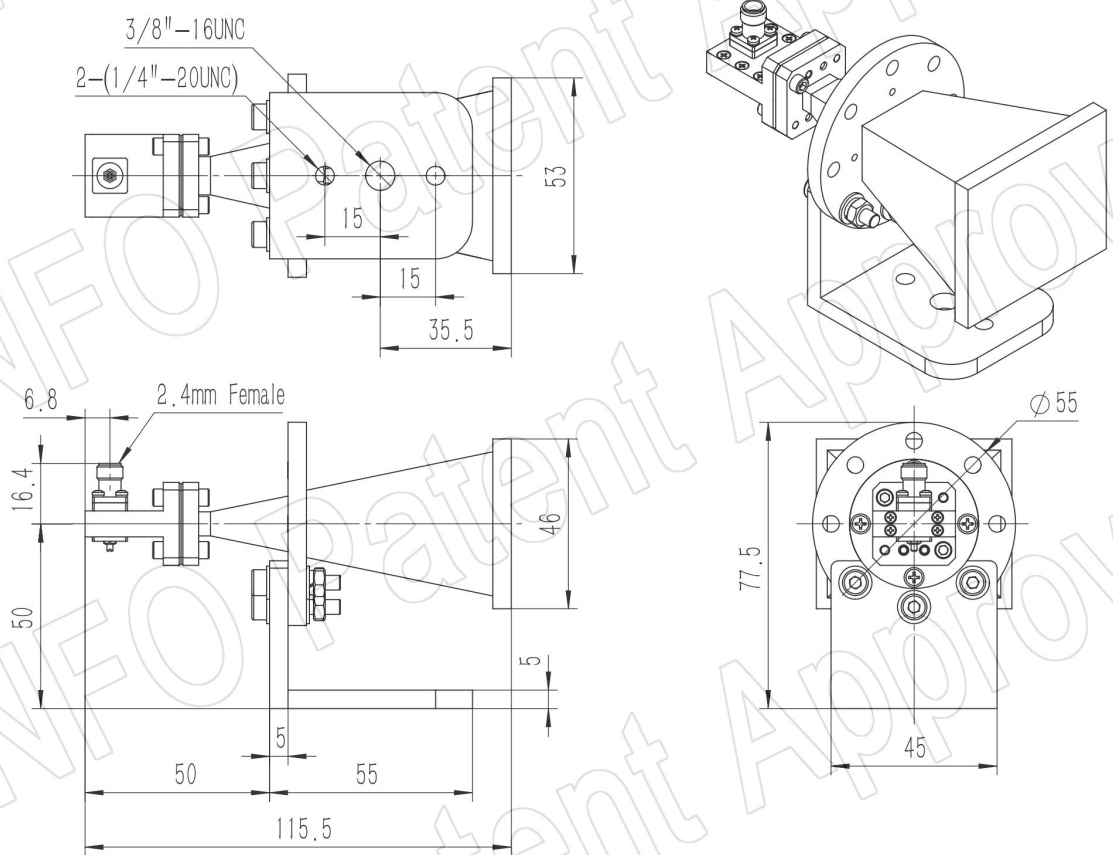
**2.4mm-Female Output with Round Mounting Bracket & Radome (Option, P/N: LB-19-25-MB2 & LB-180500H-2.4FSPO, Outdoor Application)**





2.4mm-Female Output with L Type Mounting Bracket & Radome (Option, P/N: LB-19-25-L2 & LB-180500H-2.4FSPO, Outdoor Application)

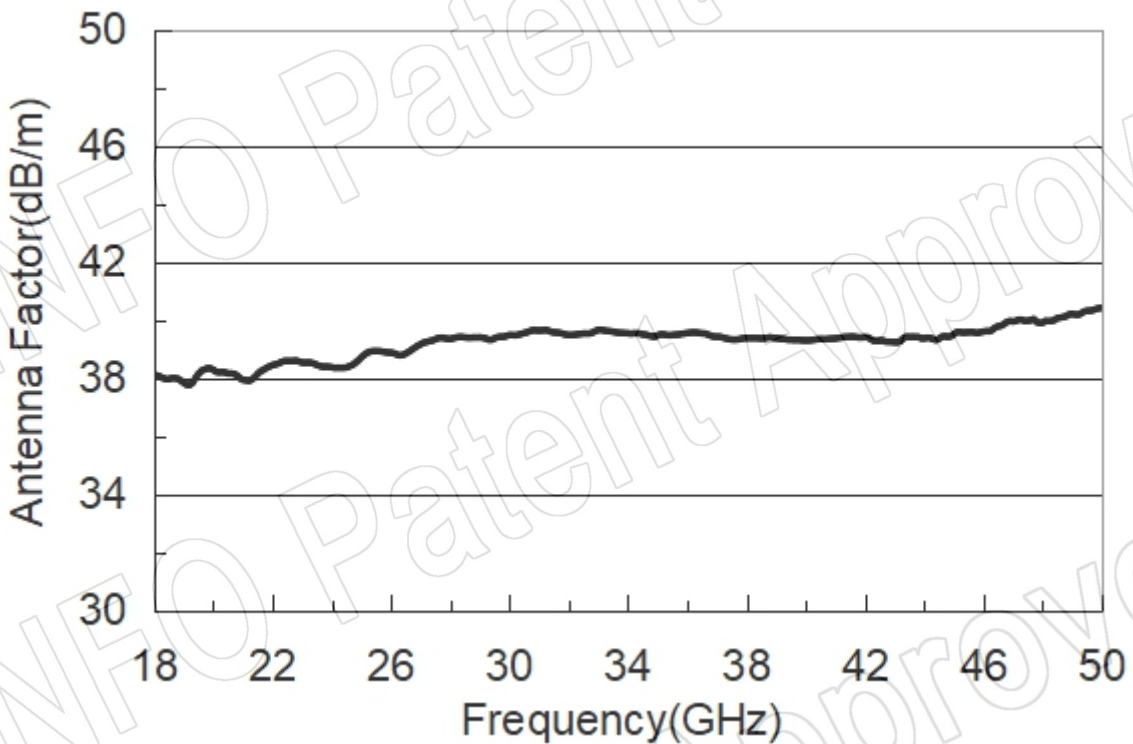
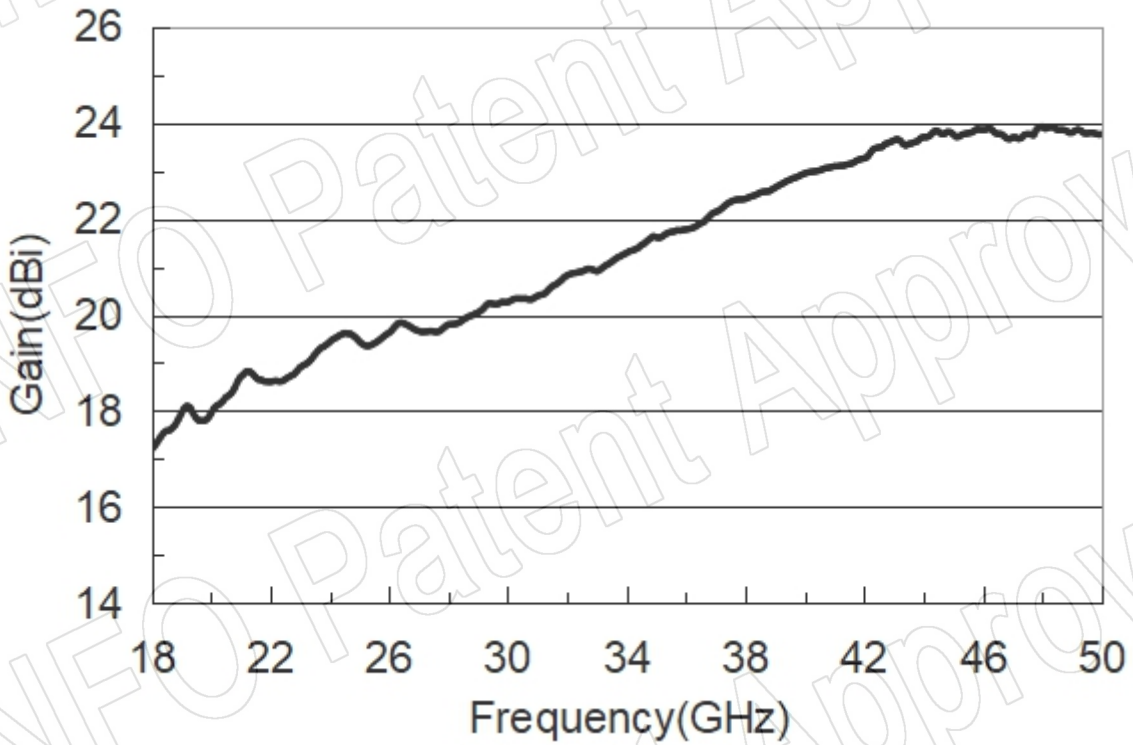
For 2.4mm-Female output outline drawing, please contact A-INFO.



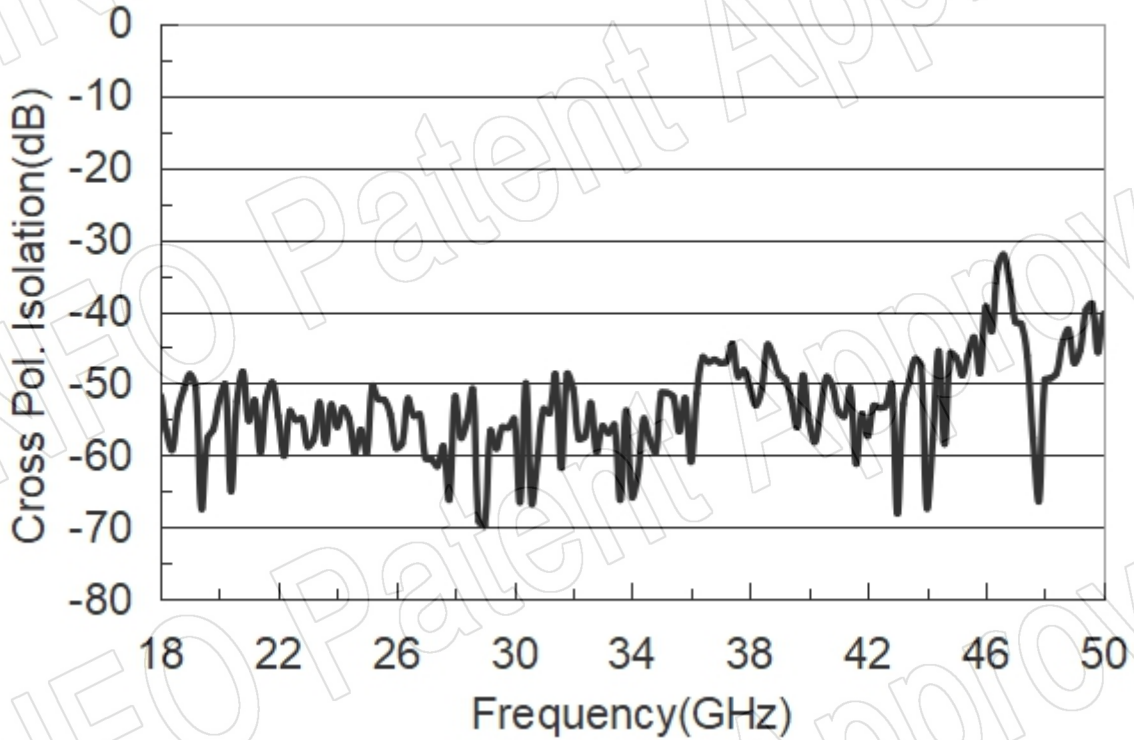


## Test Results

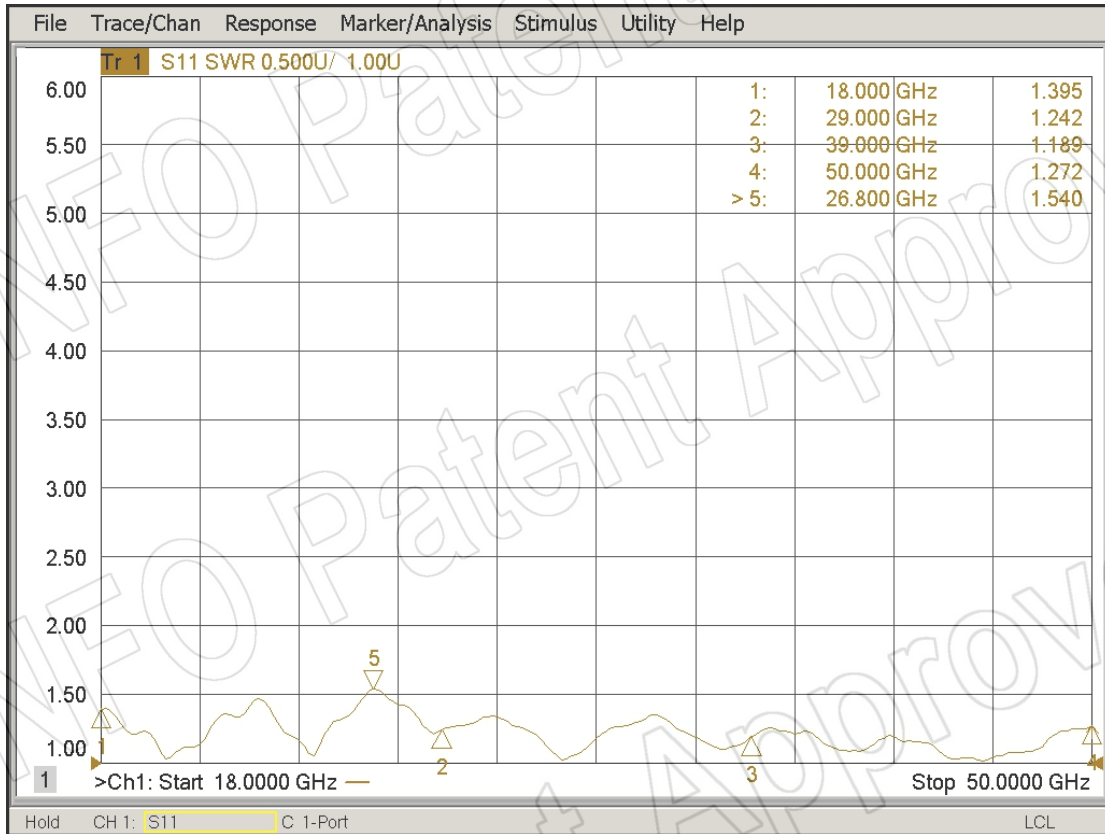
### 1. Gain & Antenna Factor



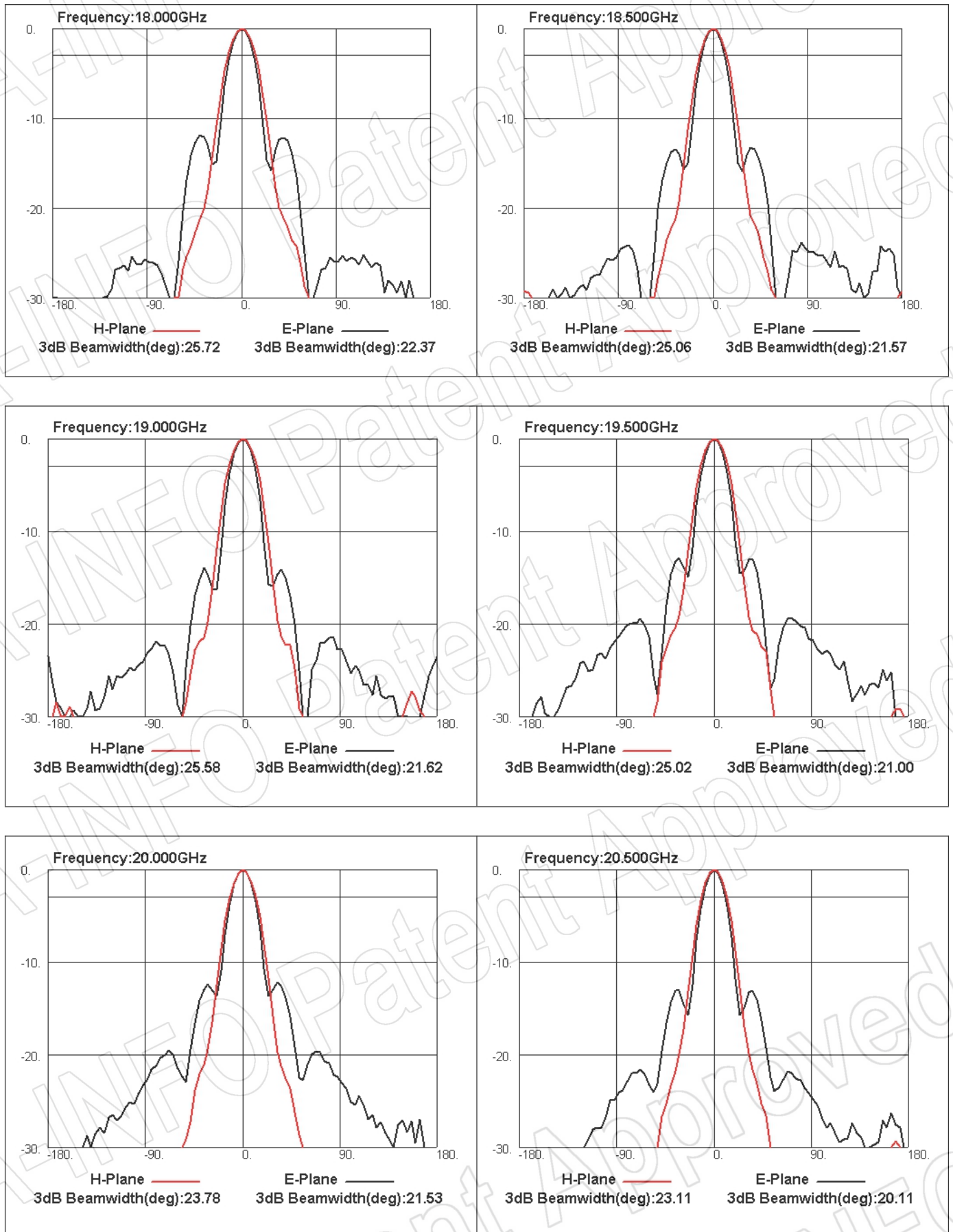
## 2. Cross Polarization Isolation



## 3. VSWR



## 4. Pattern



**AINFO Inc.**

China(Beijing):  
China(Chengdu):  
USA :

Tel: (+86) 10-6266-7326,  
Tel: (+86) 28-8519-2786,  
Tel: (+1) 949-639-9688,

(+86) 10-6266-7327  
(+86) 28-8519-3044  
(+1) 949-639-9608

Fax: (+86) 10-6266-7379  
Fax: (+86) 28-8519-3068  
Fax: (+1) 949-639-9670

Website: [www.ainfoinc.com](http://www.ainfoinc.com)  
Email: [sales@ainfoinc.com](mailto:sales@ainfoinc.com)



